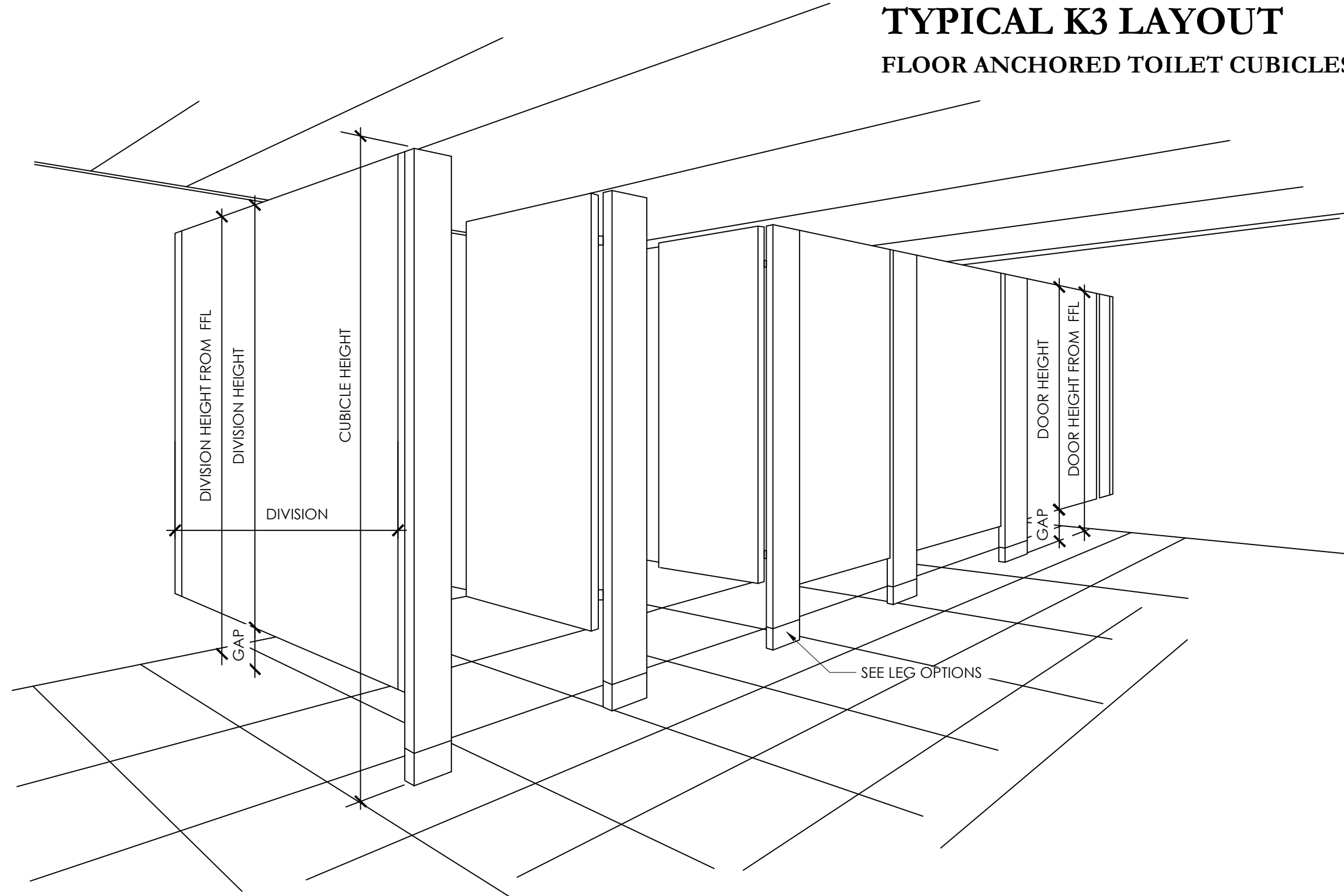


# TYPICAL K3 LAYOUT

## FLOOR ANCHORED TOILET CUBICLES.



E							
D							
C							
B							
A	GENERAL AMENDMENT	FM	01-06-15				
0	FIRST ISSUE	FM	18-05-15				
REV.	DESCRIPTION	BY	DATE	CHK.	DATE	APP.	DATE

PH: (03) 8366 1900  
FAX: (03) 8366 1999

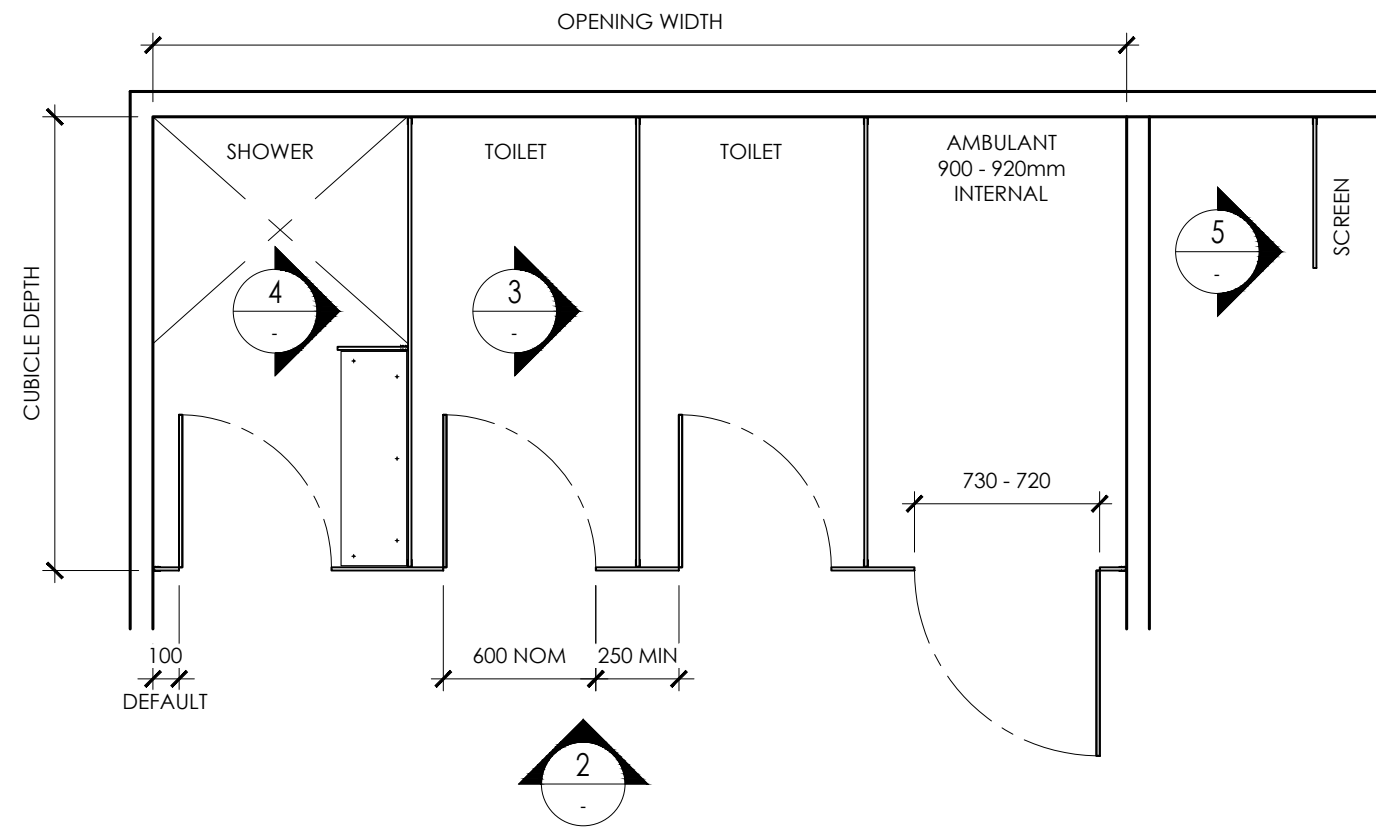
- NOTE**
- ALL DIMENSIONS ARE HUF COR PREFERRED SIZES.
  - ALL DIMENSIONS IN mm & TO FINISH LINING.
  - DIMENSIONS MAY BE ALTERED TO SUIT SPECIAL REQUIREMENTS.

**HUF COR**  
HUF COR PTY LTD A.C.N. 076 529 658  
28 - 30 PERMAS WAY, TRUGANINA, VIC 3029

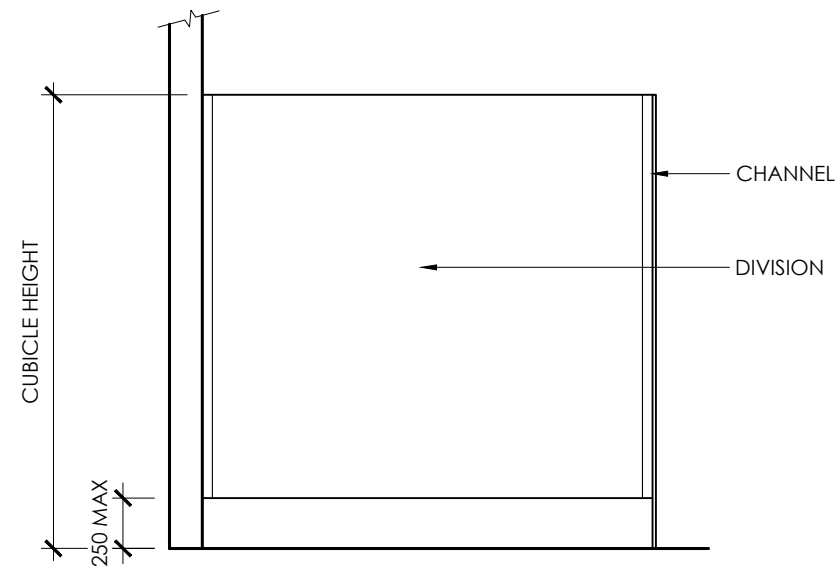
**K3 KYISSA SYSTEM**  
FLOOR ANCHORED TOILET CUBICLES

DRAWN	FM	M/O No.	-	DRAWING No.	REV.
DATE	18-05-14	PART		KPG0003-1	A
SCALE @ A3	NTS	REF. No.			

THIS DRAWING AND THE COPYRIGHT THEREIN ARE THE COPYRIGHT OF HUF COR PTY. LTD. AND ALL INFORMATION WHICH IT CONTAINS IS CONFIDENTIAL. THE DRAWING MUST NOT BE REPRODUCED OR DISCLOSED NOR MUST ANY INFORMATION TAKEN THEREFROM BE DISCLOSED WITHOUT PRIOR CONSENT IN WRITING OF HUF COR PTY. LTD.



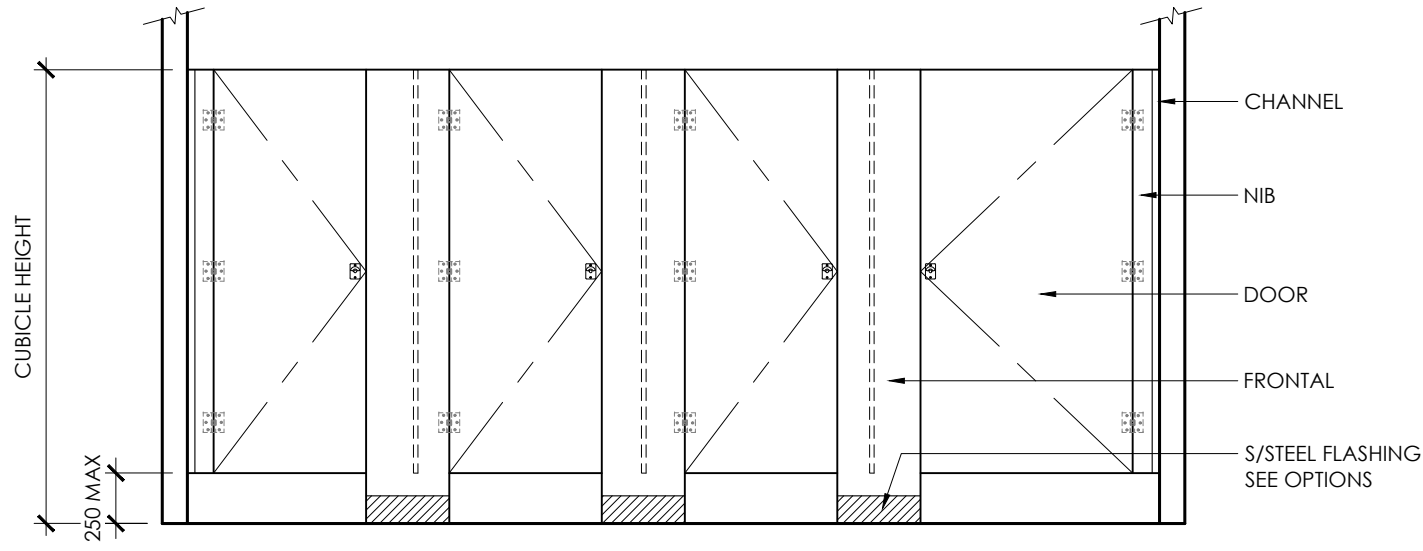
1 TYPICAL TOILET ARRANGEMENT LAYOUT  
SCALE 1:30



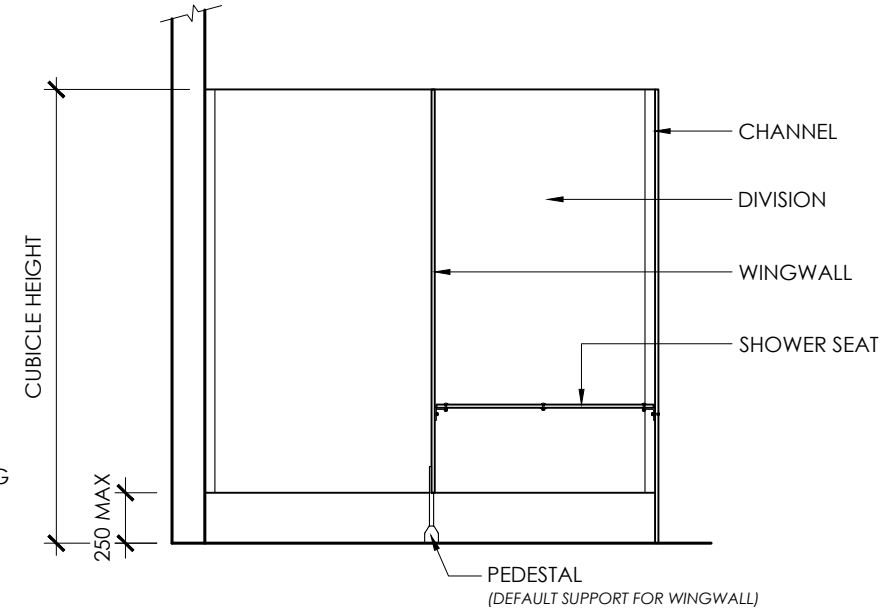
3 TYPICAL TOILET DIVISION ELEVATION  
SCALE 1:30

**BOARD THICKNESS OPTIONS:**

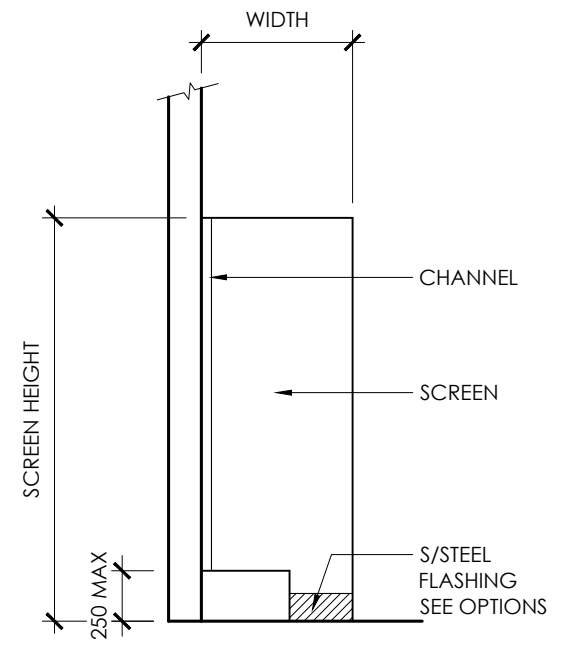
a	33mm	KPG0003-3
b	25mm	
c	13mm	



2 ELEVATION  
SCALE 1:30



4 TYPICAL SHOWER DIVISION ELEVATION  
SCALE 1:30



5 TYPICAL SCREEN ELEVATION  
SCALE 1:30

REV.	DESCRIPTION	BY	DATE	CHK.	DATE	APP.	DATE
E							
D							
C							
B	GENERAL AMENDMENT	FM	08-03-16				
A	GENERAL AMENDMENT	FM	01-06-15				
0	FIRST ISSUE	FM	18-05-15				

PH: (03) 8366 1900  
FAX: (03) 8366 1999

**NOTE**

- ALL DIMENSIONS ARE HUF COR PREFERRED SIZES.
- ALL DIMENSIONS IN mm & TO FINISH LINING.
- DIMENSIONS MAY BE ALTERED TO SUIT SPECIAL REQUIREMENTS.

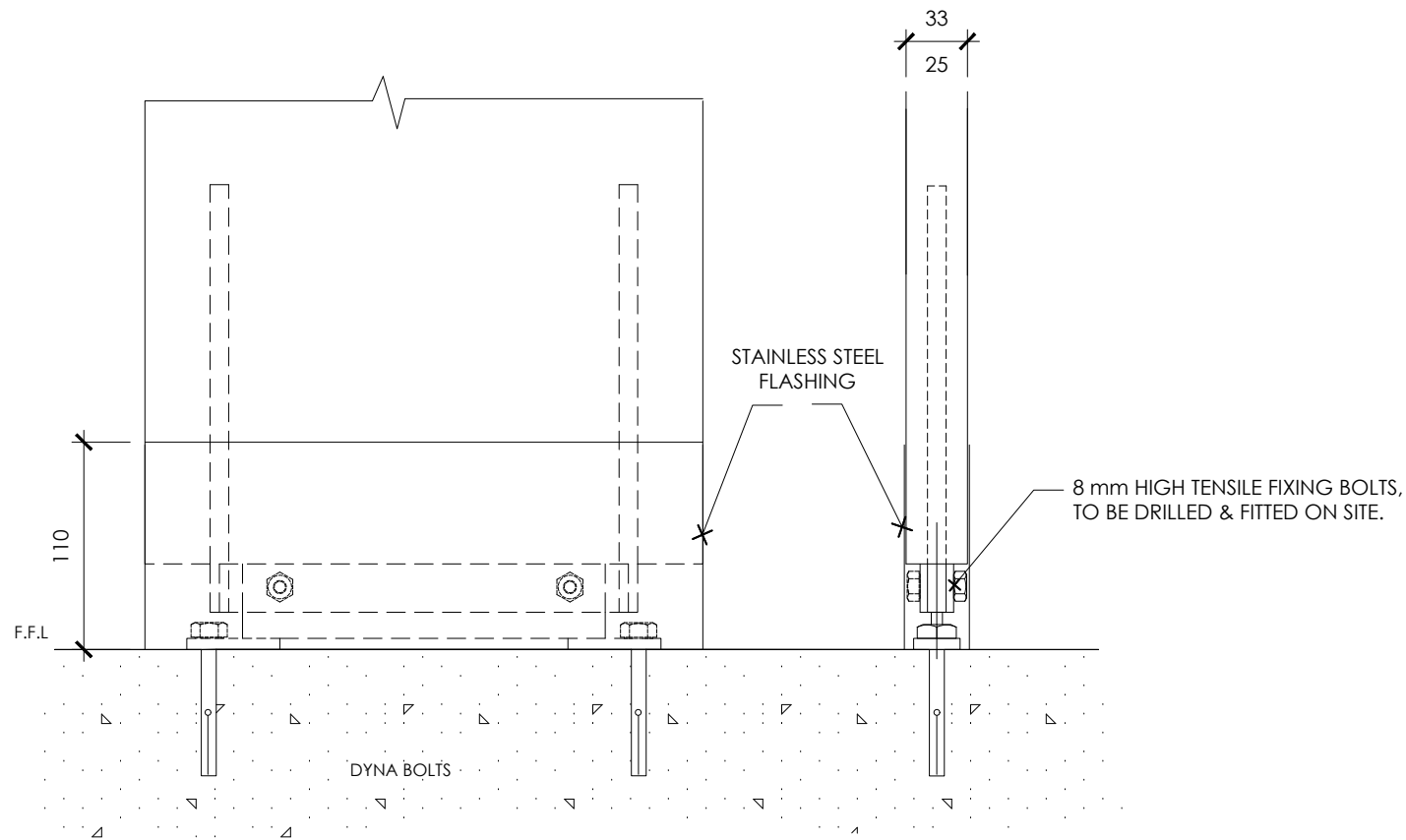
**HUF COR**  
HUF COR PTY LTD A.C.N. 076 529 658  
28 - 30 PERMAS WAY, TRUGANINA, VIC 3029

THIS DRAWING AND THE COPYRIGHT THEREIN ARE THE COPYRIGHT OF HUF COR PTY. LTD. AND ALL INFORMATION WHICH IT CONTAINS IS CONFIDENTIAL. THE DRAWING MUST NOT BE REPRODUCED OR DISCLOSED NOR MUST ANY INFORMATION TAKEN THEREFROM BE DISCLOSED WITHOUT PRIOR CONSENT IN WRITING OF HUF COR PTY. LTD.

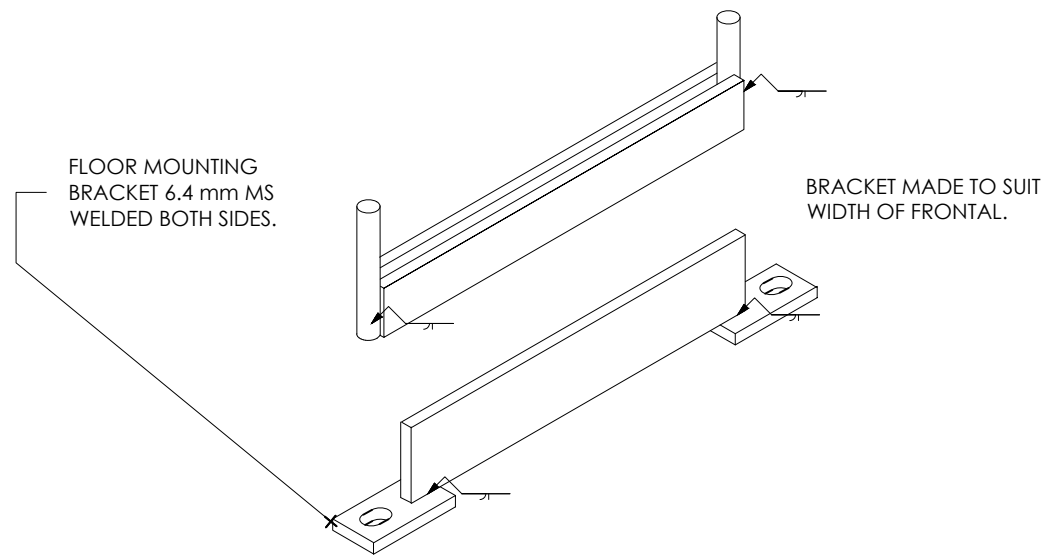
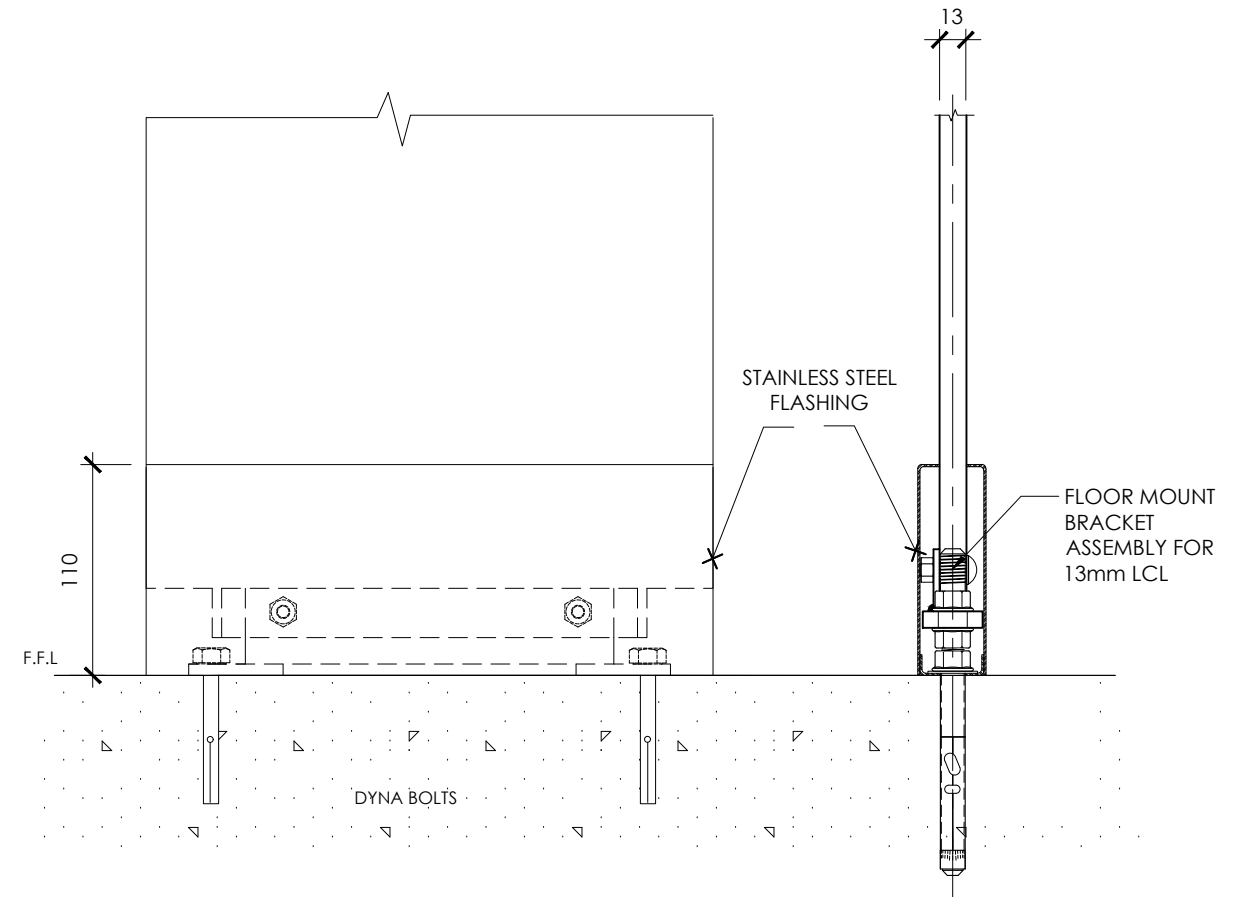
**K3 KYISSA SYSTEM**  
TYPICAL LAYOUT

DRAWN	FM	M/O No.	-	DRAWING No.	REV.
DATE	18-05-14	PART		KPG0003-2	B
SCALE @ A3	NTS	PART REF. No.			

a. & b. FLOOR MOUNT BRACKET FOR 33/25mm BOARD OPTION



c. FLOOR MOUNT BRACKET FOR 13mm LCL BOARD OPTION



REV.	DESCRIPTION	BY	DATE	CHK.	DATE	APP.	DATE
E							
D							
C							
B							
A	GENERAL AMENDMENT	FM	01-06-15				
0	FIRST ISSUE	FM	18-05-15				

PH: (03) 8366 1900  
FAX: (03) 8366 1999

**HUFCOR**  
HUFCOR PTY LTD A.C.N. 076 529 658  
28 - 30 PERMAS WAY, TRUGANINA, VIC 3029

**K3 KYISSA SYSTEM**  
FLOOR MOUNT BRACKET OPTIONS

SCALE @ A3	DATE	DATE	PART REF. No.	DRAWING No.	REV.
NTS	18-05-14	18-05-14		KPG0003-3	A

THIS DRAWING AND THE COPYRIGHT THEREIN ARE THE COPYRIGHT OF HUFCOR PTY. LTD. AND ALL INFORMATION WHICH IT CONTAINS IS CONFIDENTIAL. THE DRAWING MUST NOT BE REPRODUCED OR DISCLOSED NOR MUST ANY INFORMATION TAKEN THEREFROM BE DISCLOSED WITHOUT PRIOR CONSENT IN WRITING OF HUFCOR PTY. LTD.