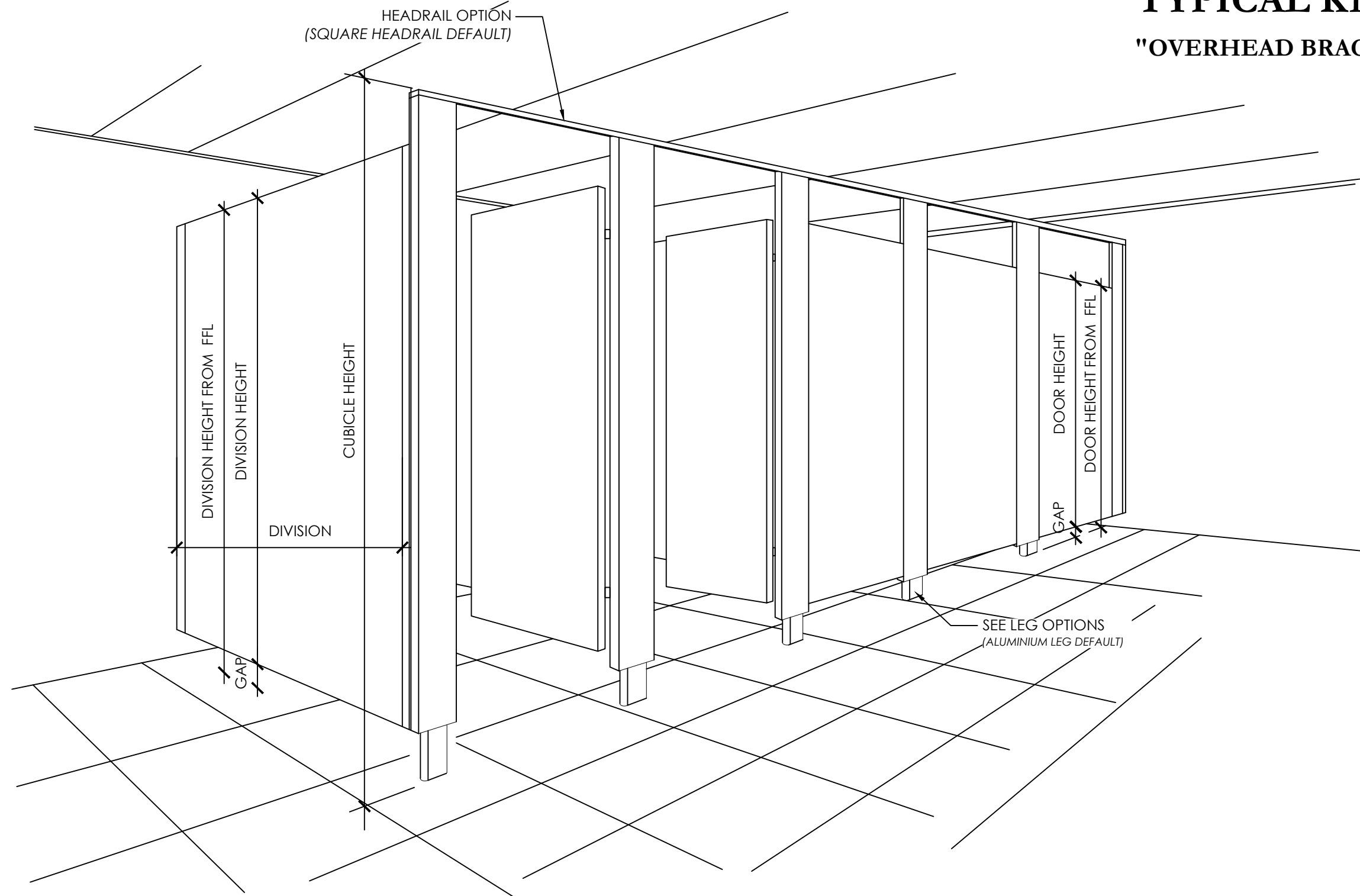


TYPICAL K1 LAYOUT

"OVERHEAD BRACED SYSTEM"



E							
D							
C							
B							
A	GENERAL AMENDMENT	FM	01-06-15				
0	FIRST ISSUE	FM	18-05-15				
REV.	DESCRIPTION	BY	DATE	CHK.	DATE	APP.	DATE

PH: (03) 8366 1900
FAX: (03) 8366 1999

NOTE

- ALL DIMENSIONS ARE HUF COR PREFERRED SIZES.
- ALL DIMENSIONS IN mm & TO FINISH LINING.
- DIMENSIONS MAY BE ALTERED TO SUIT SPECIAL REQUIREMENTS.



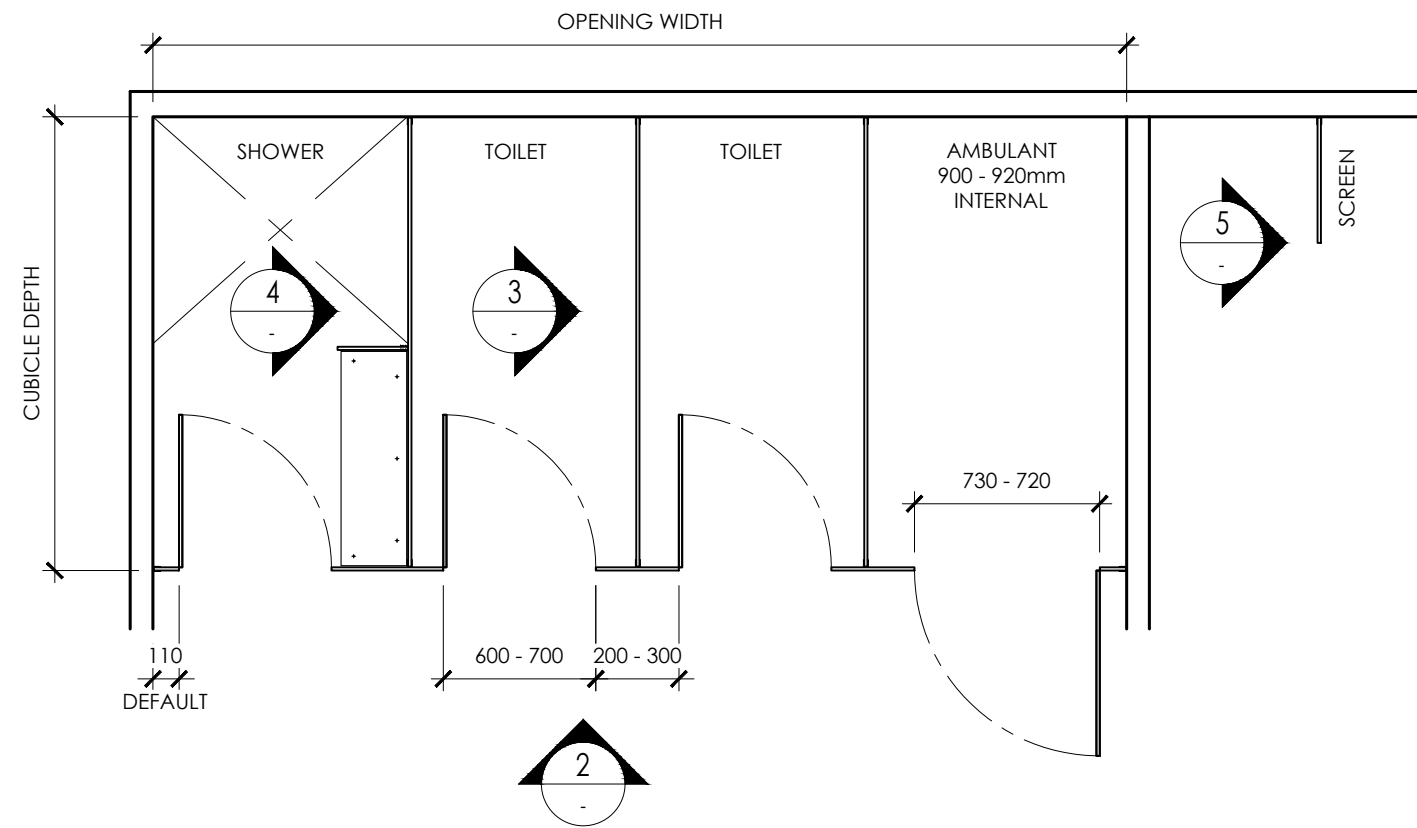
HUF COR PTY LTD A.C.N. 076 529 658
28 - 30 PERMAS WAY, TRUGANINA, VIC 3029

K1 KYISSA SYSTEM

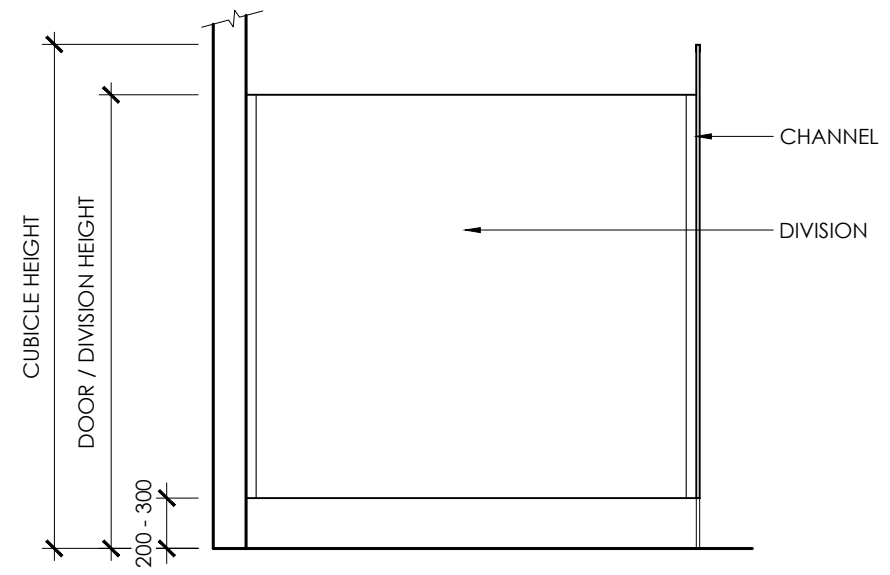
FLOOR MOUNTED - OVERHEAD BRACED SYSTEM

DRAWN	FM	M/O No.	-	DRAWING No.	REV.
DATE	18-05-14	PART		KPG0001-1	A
SCALE @ A3	NTS	REF. No.			

THIS DRAWING AND THE COPYRIGHT THEREIN ARE THE COPYRIGHT OF HUF COR PTY. LTD. AND ALL INFORMATION WHICH IT CONTAINS IS CONFIDENTIAL. THE DRAWING MUST NOT BE REPRODUCED OR DISCLOSED NOR MUST ANY INFORMATION TAKEN THEREFROM BE DISCLOSED WITHOUT PRIOR CONSENT IN WRITING OF HUF COR PTY. LTD.



1 TYPICAL TOILET ARRANGEMENT LAYOUT
SCALE 1:30



3 TYPICAL TOILET DIVISION ELEVATION
SCALE 1:30

BOARD THICKNESS OPTIONS:

a	13mm
b	18mm
c	25mm
d	33mm

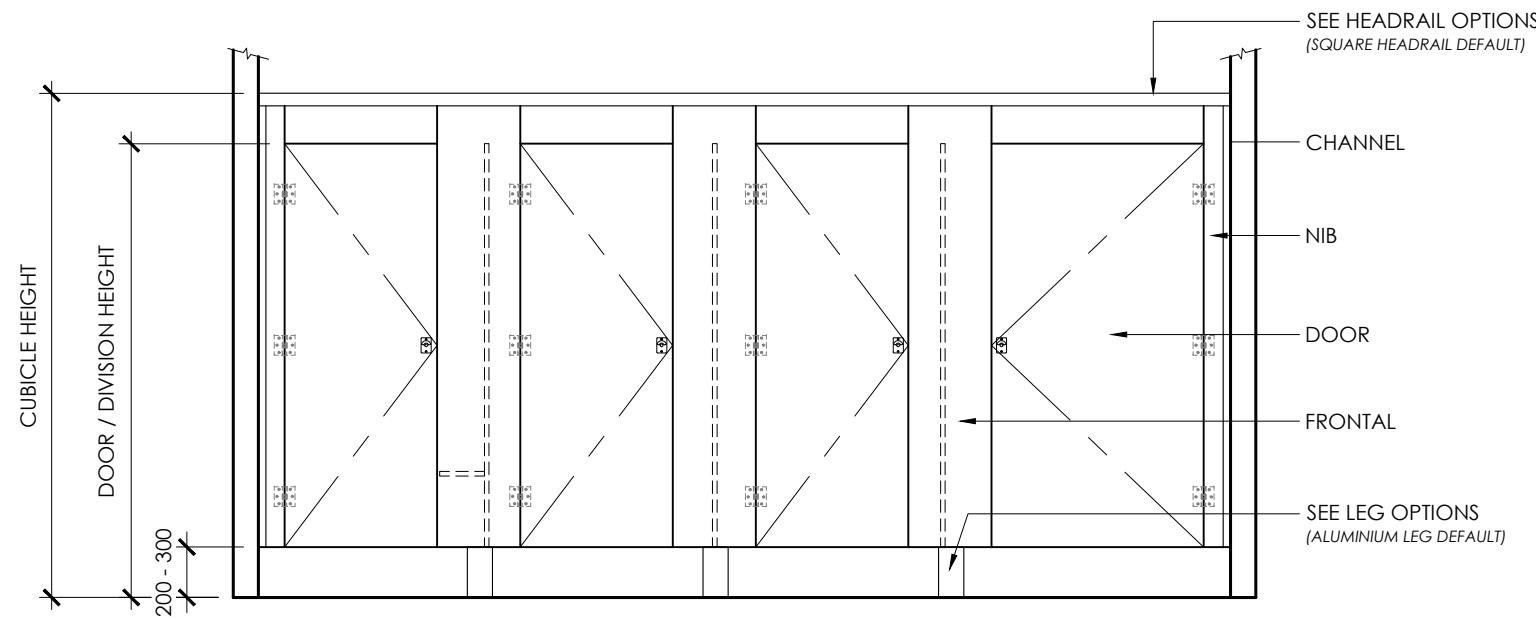
NOTE:
HEADRAIL & LEG OPTIONS AVAILABILITY APPLIES.

HEADRAIL OPTIONS:

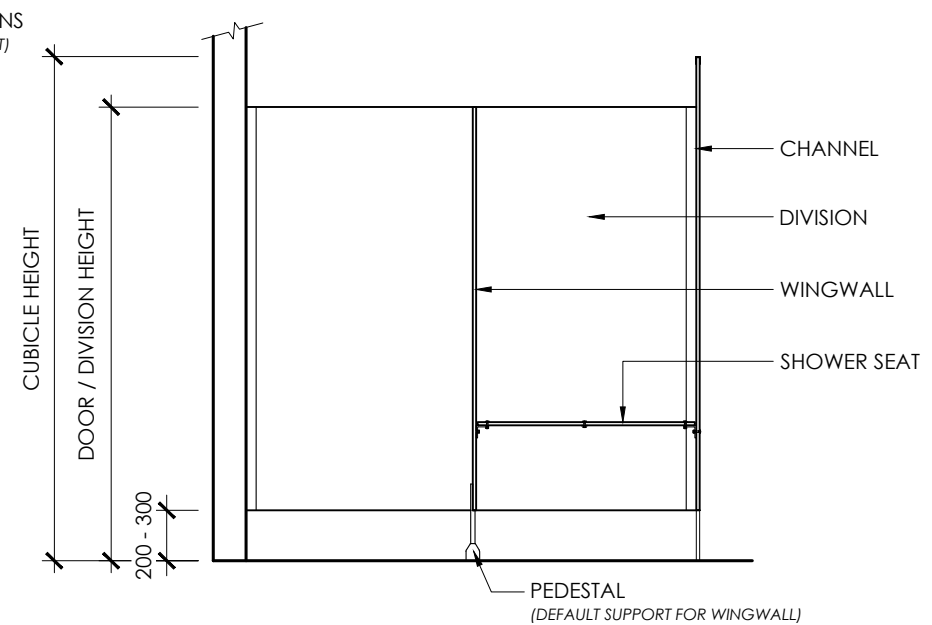
a	ROUND HEADRAIL	KPG0001-3
b	CHANNEL HEADRAIL (DEFAULT)	

LEG OPTIONS:

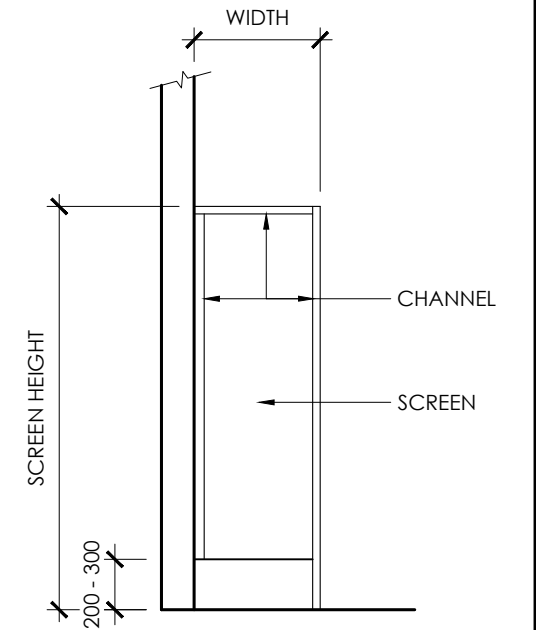
a	ALUMINIUM LEG (DEFAULT)	KPG0001-4
b	PEDESTAL	
c	S/STEEL BRACKET	
d	FLOOR CHANNEL	



2 ELEVATION
SCALE 1:30



4 TYPICAL TOILET SHOWER ELEVATION
SCALE 1:30



5 TYPICAL SCREEN ELEVATION
SCALE 1:30

REV.	DESCRIPTION	BY	DATE	CHK.	DATE	APP.	DATE
E							
D							
C							
B	GENERAL AMENDMENT	FM	08-03-16				
A	GENERAL AMENDMENT	FM	01-06-15				
0	FIRST ISSUE	FM	18-05-15				

PH: (03) 8366 1900
FAX: (03) 8366 1999

NOTE

- ALL DIMENSIONS ARE HUF COR PREFERRED SIZES.
- ALL DIMENSIONS IN mm & TO FINISH LINING.
- DIMENSIONS MAY BE ALTERED TO SUIT SPECIAL REQUIREMENTS.

HUF COR
HUF COR PTY LTD A.C.N. 076 529 658
28 - 30 PERMAS WAY, TRUGANINA, VIC 3029

K1 KYISSA SYSTEM
TYPICAL LAYOUT

DRAWN	FM	M/O No.	-	DRAWING No.	REV.
DATE	18-05-14	PART		KPG0001-2	B
SCALE @ A3	1:30	REF. No.			

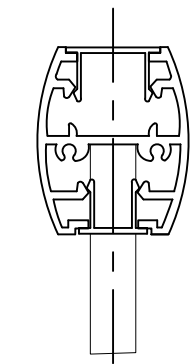
THIS DRAWING AND THE COPYRIGHT THEREIN ARE THE COPYRIGHT OF HUF COR PTY. LTD. AND ALL INFORMATION WHICH IT CONTAINS IS CONFIDENTIAL. THE DRAWING MUST NOT BE REPRODUCED OR DISCLOSED NOR MUST ANY INFORMATION TAKEN THEREFROM BE DISCLOSED WITHOUT PRIOR CONSENT IN WRITING OF HUF COR PTY. LTD.

a. ROUND HEADRAIL OPTION

a.1 - 13mm

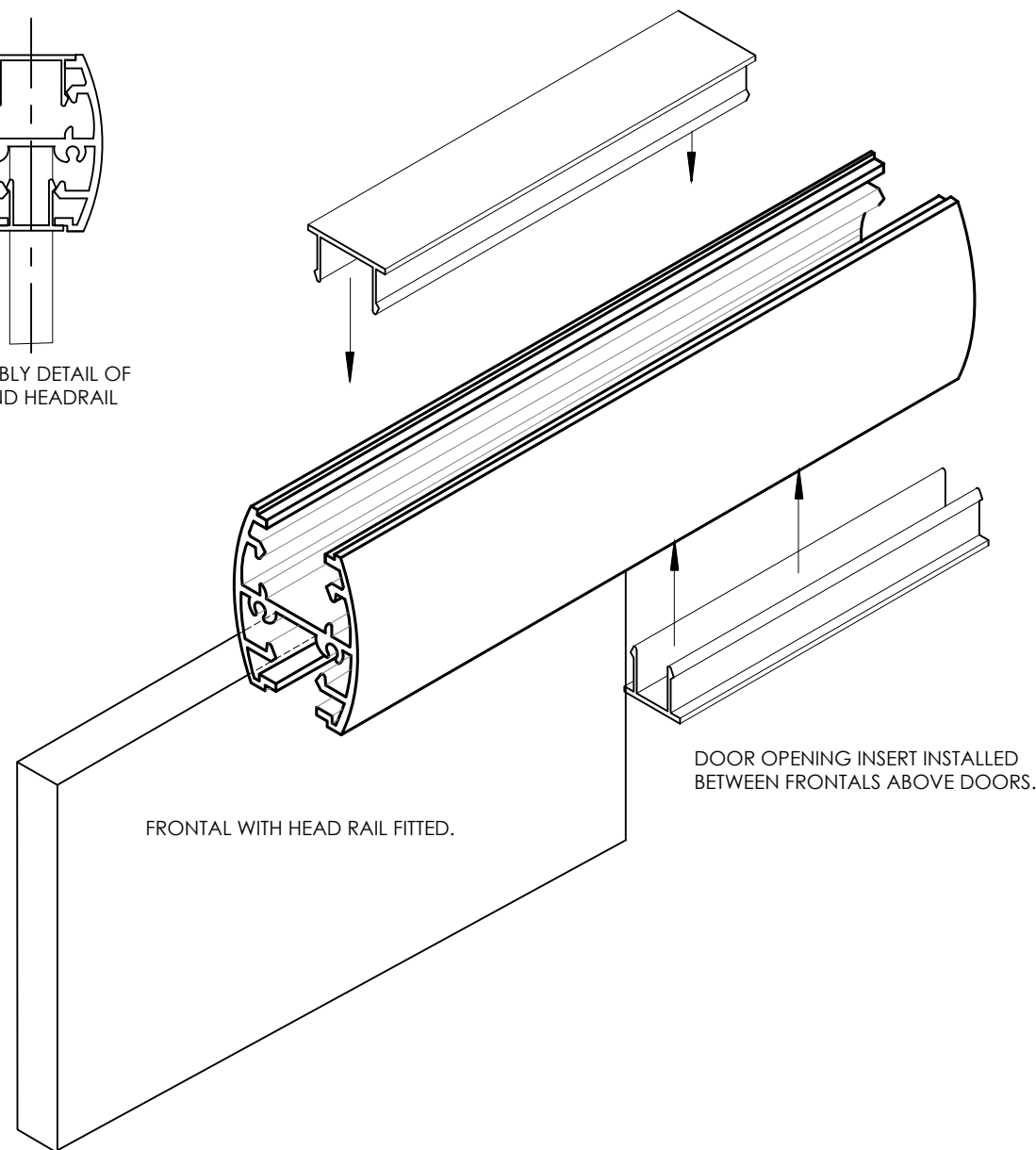
a.2 - 18mm

TYPICAL DETAIL



ASSEMBLY DETAIL OF ROUND HEADRAIL

TOP INSERT SNAPPED INTO HEAD RAIL FOR LENGTH OF INSTALLATION.



b. CHANNEL HEADRAIL OPTION

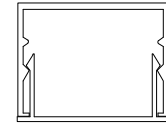
b.1 - 13mm

b.2 - 18mm

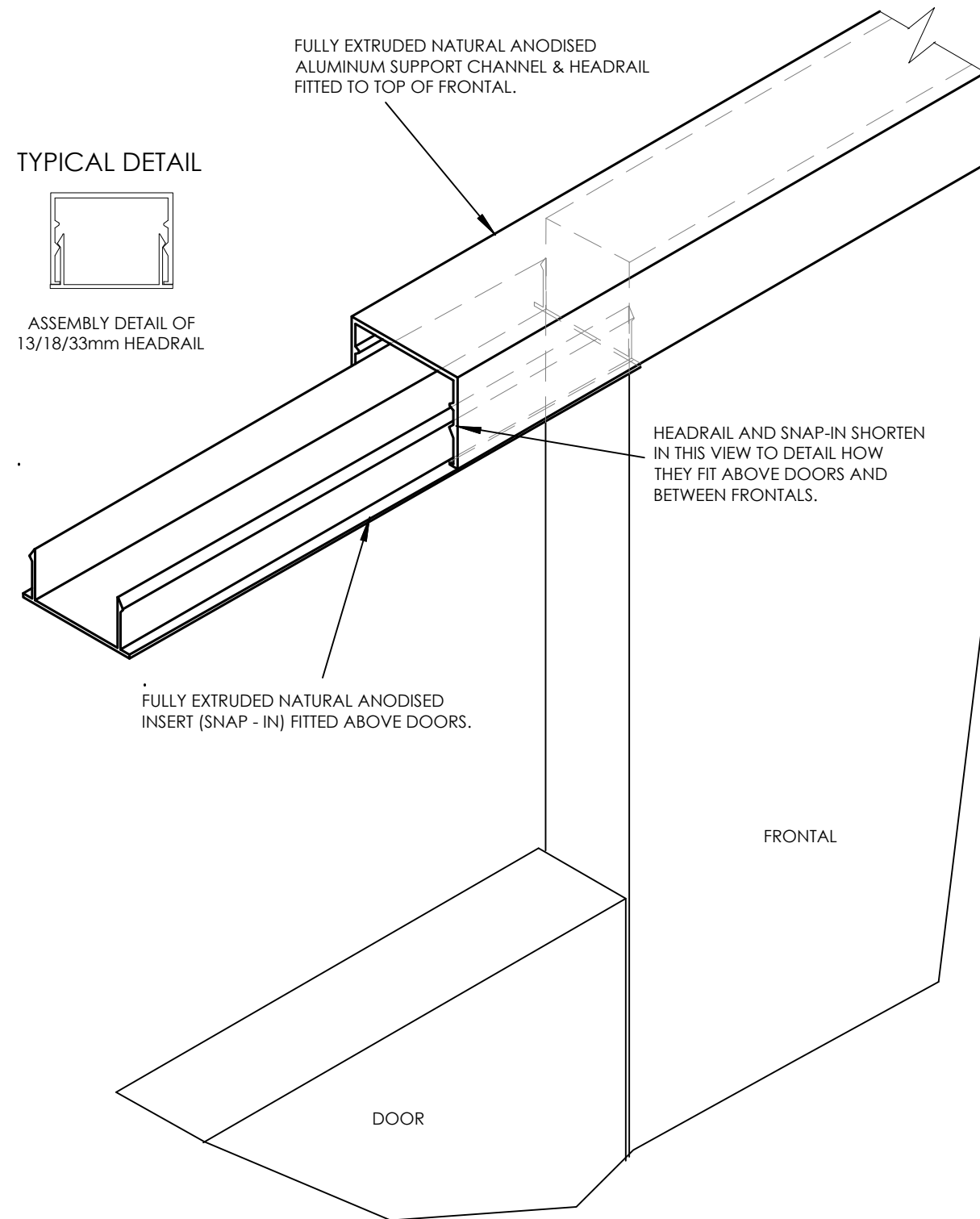
b.3 - 25mm

b.4 - 33mm

TYPICAL DETAIL



ASSEMBLY DETAIL OF 13/18/33mm HEADRAIL



E							
D							
C							
B							
A	GENERAL AMENDMENT	FM	01-06-15				
0	FIRST ISSUE	FM	18-05-15				
REV.	DESCRIPTION	BY	DATE	CHK.	DATE	APP.	DATE

PH: (03) 8366 1900
FAX: (03) 8366 1999

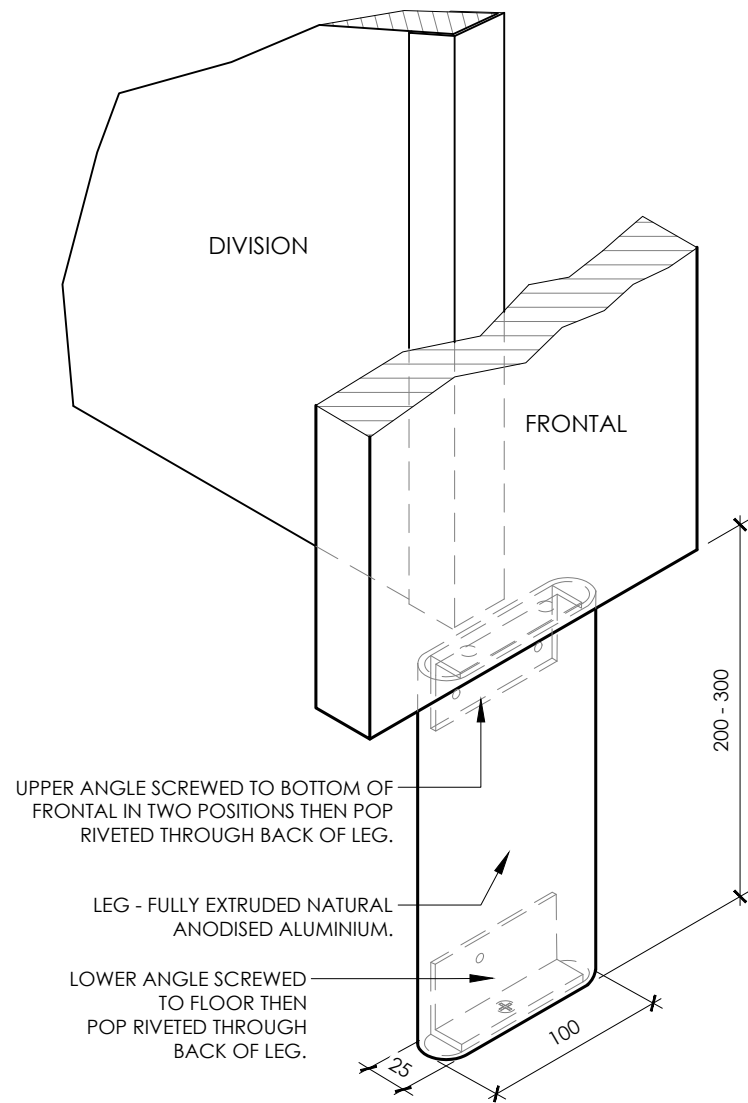
HUFCOR
HUFCOR PTY LTD A.C.N. 076 529 658
28 - 30 PERMAS WAY, TRUGANINA, VIC 3029

K1 KYISSA SYSTEM
HEADRAIL OPTIONS

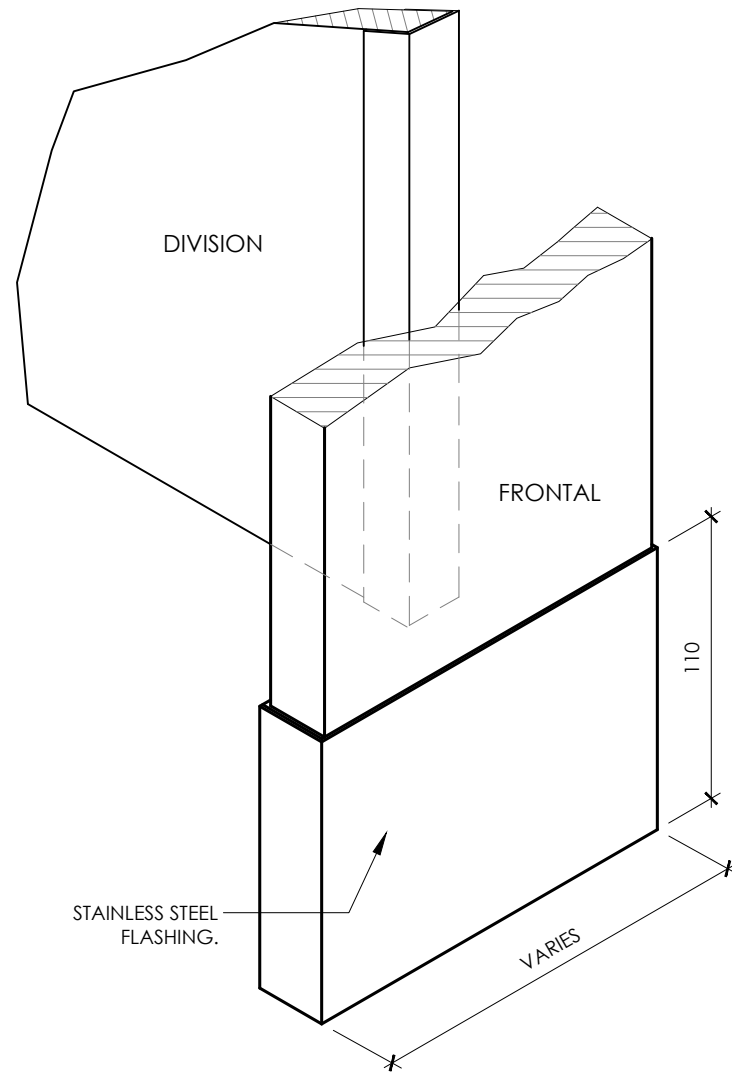
DRAWN	FM	M/O No.	-	DRAWING No.	REV.
DATE	18-05-14	PART		KPG0001-3	A
SCALE @ A3	1:1	REF. No.			

THIS DRAWING AND THE COPYRIGHT THEREIN ARE THE COPYRIGHT OF HUFCOR PTY. LTD. AND ALL INFORMATION WHICH IT CONTAINS IS CONFIDENTIAL. THE DRAWING MUST NOT BE REPRODUCED OR DISCLOSED NOR MUST ANY INFORMATION TAKEN THEREFROM BE DISCLOSED WITHOUT PRIOR CONSENT IN WRITING OF HUFCOR PTY. LTD.

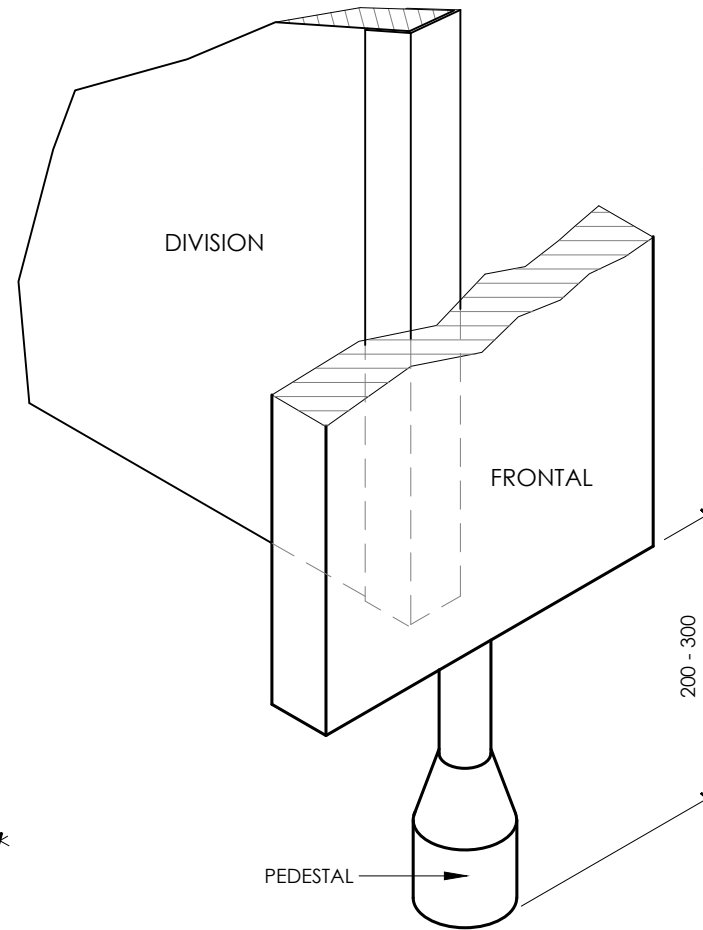
a. ALUMINIUM LEG OPTION
(DEFAULT)



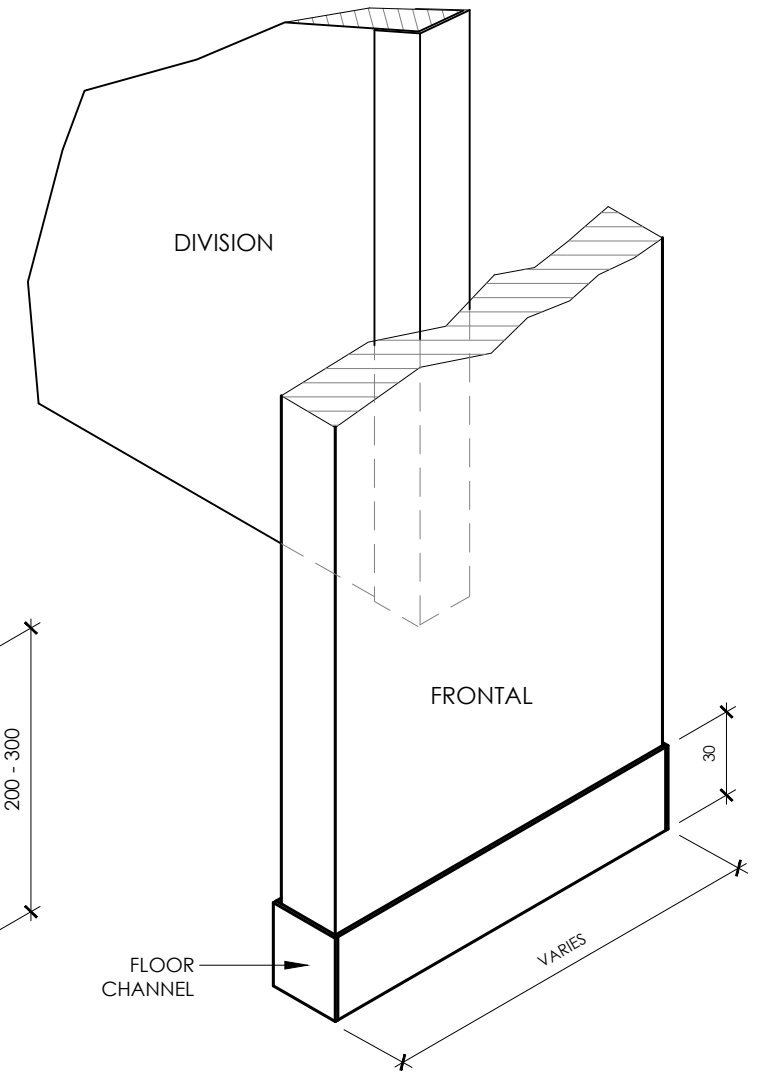
b. S/STEEL LEG OPTION
b.1 - 13mm
b.2 - 33mm



c. PEDESTAL LEG OPTION



d. FLOOR CHANNEL OPTION



REV.	DESCRIPTION	BY	DATE	CHK.	DATE	APP.	DATE
E							
D							
C							
B	GENERAL AMENDMENT	FM	08-03-16				
A	GENERAL AMENDMENT	FM	01-06-15				
0	FIRST ISSUE	FM	18-05-15				

PH: (03) 8366 1900
FAX: (03) 8366 1999

HUFCOR
HUFCOR PTY LTD A.C.N. 076 529 658
28 - 30 PERMAS WAY, TRUGANINA, VIC 3029

K1 KYISSA SYSTEM
LEG OPTIONS

DRAWN	FM	M/O No.	-	DRAWING No.	REV.
DATE	18-05-14	PART		KPG0001-4	B
SCALE @ A3	1:1	REF. No.			

THIS DRAWING AND THE COPYRIGHT THEREIN ARE THE COPYRIGHT OF HUFCOR PTY. LTD. AND ALL INFORMATION WHICH IT CONTAINS IS CONFIDENTIAL. THE DRAWING MUST NOT BE REPRODUCED OR DISCLOSED NOR MUST ANY INFORMATION TAKEN THEREFROM BE DISCLOSED WITHOUT PRIOR CONSENT IN WRITING OF HUFCOR PTY. LTD.