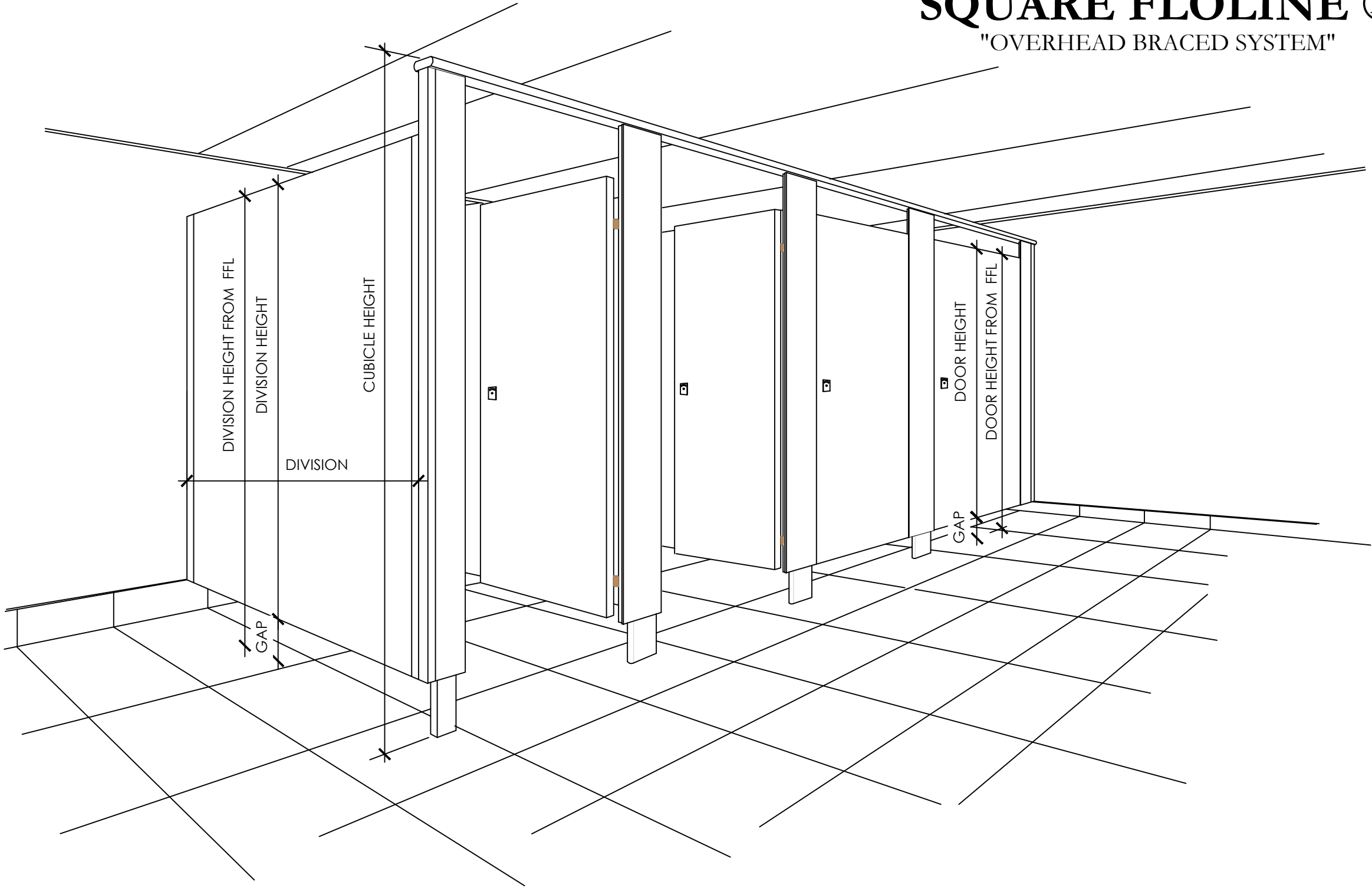


SQUARE FLOLINE®

"OVERHEAD BRACED SYSTEM"



E							
D							
C							
B							
A	TOILET/SHOWER DIVISION & FLOOR CLEARANCE AMENDMENT	FM	09-09-20				
0	FIRST ISSUE	FM	18-05-15				
REV.	DESCRIPTION	BY	DATE	CHK.	DATE	APP.	DATE

PH: (03) 8366 1900
FAX: (03) 8366 1999

- NOTE**
- ALL DIMENSIONS ARE HUF COR PREFERRED SIZES.
 - ALL DIMENSIONS IN mm & TO FINISH LINING.
 - DIMENSIONS MAY BE ALTERED TO SUIT SPECIAL REQUIREMENTS.

HUF COR
HUF COR PTY LTD A.C.N. 076 529 658
28 - 30 PERMAS WAY, TRUGANINA, VIC 3029

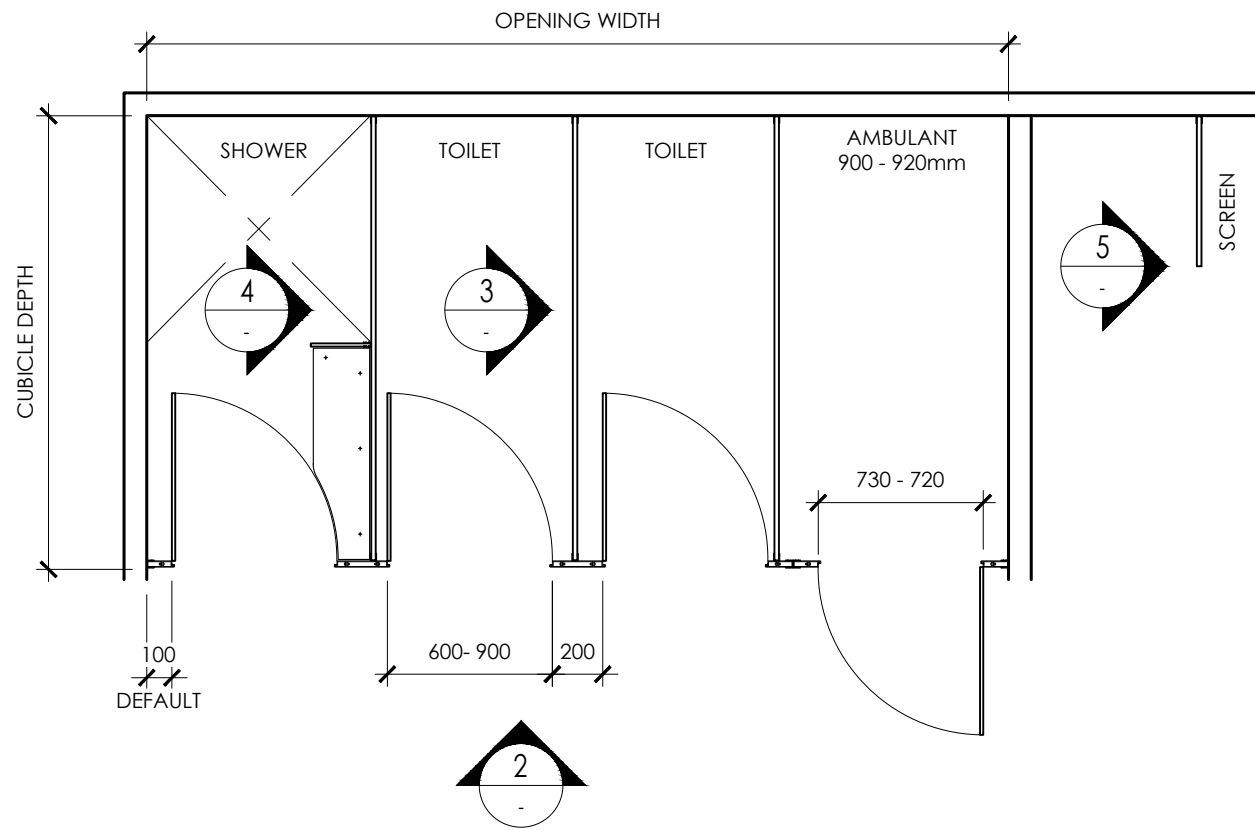
SQUARE FLOLINE KYISSA SYSTEM
OVERHEAD BRACED SYSTEM

DRAWN	FM	M/O No.	-	DRAWING No.	REV.
DATE	18-05-14	PART		KPG0005-1	A
SCALE @ A3	NTS	REF. No.			

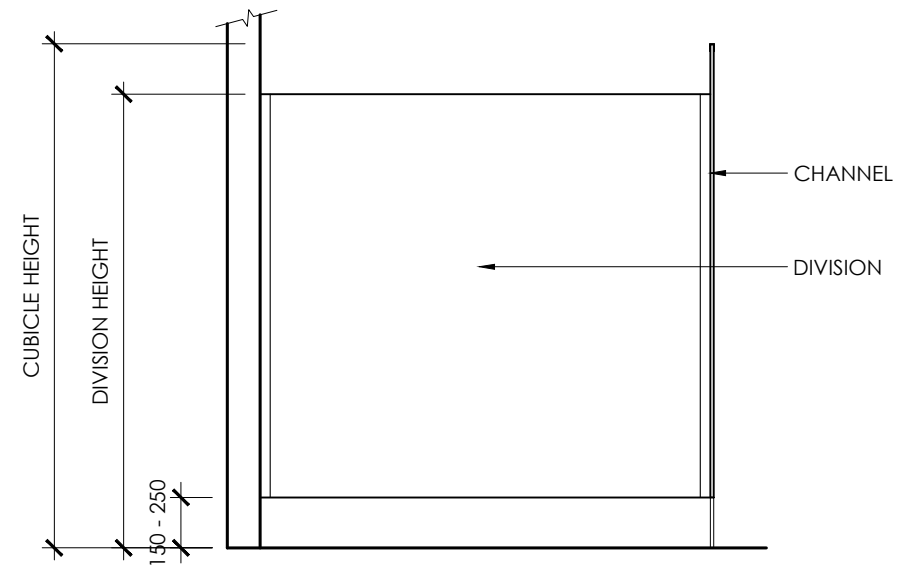
THIS DRAWING AND THE COPYRIGHT THEREIN ARE THE COPYRIGHT OF HUF COR PTY. LTD. AND ALL INFORMATION WHICH IT CONTAINS IS CONFIDENTIAL. THE DRAWING MUST NOT BE REPRODUCED OR DISCLOSED NOR MUST ANY INFORMATION TAKEN THEREFROM BE DISCLOSED WITHOUT PRIOR CONSENT IN WRITING OF HUF COR PTY. LTD.

BOARD THICKNESS OPTIONS:

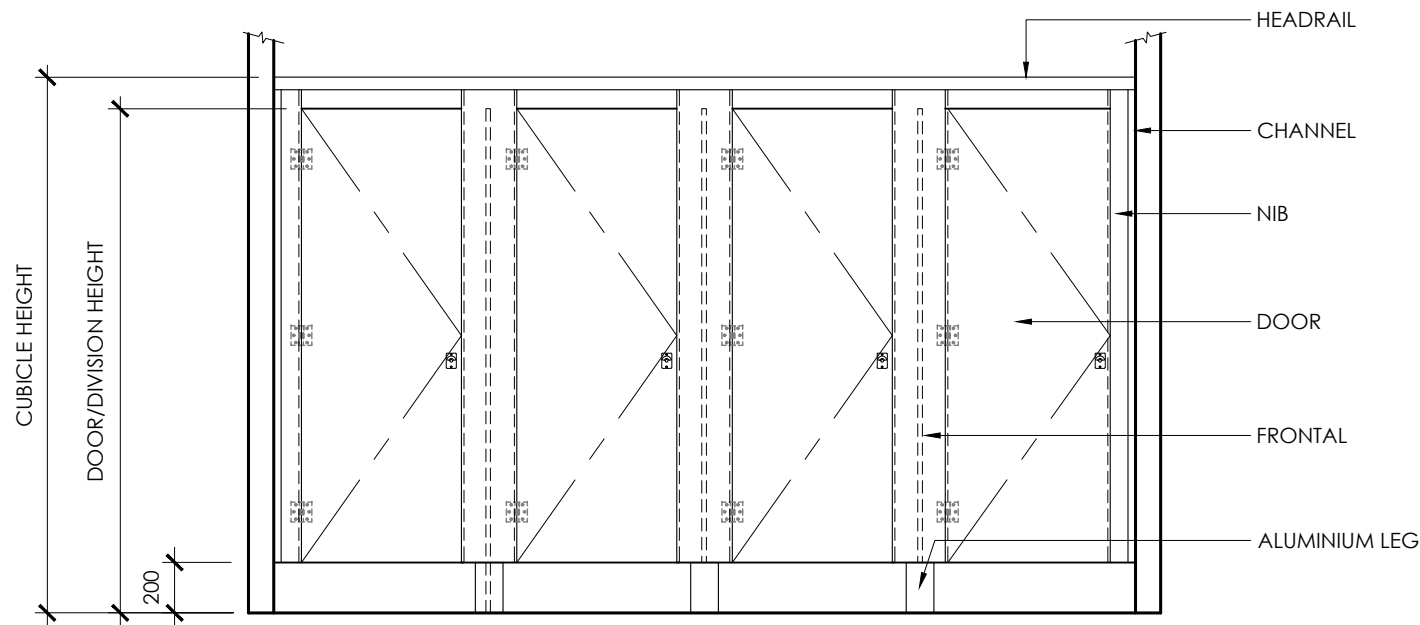
a	13mm
b	18mm



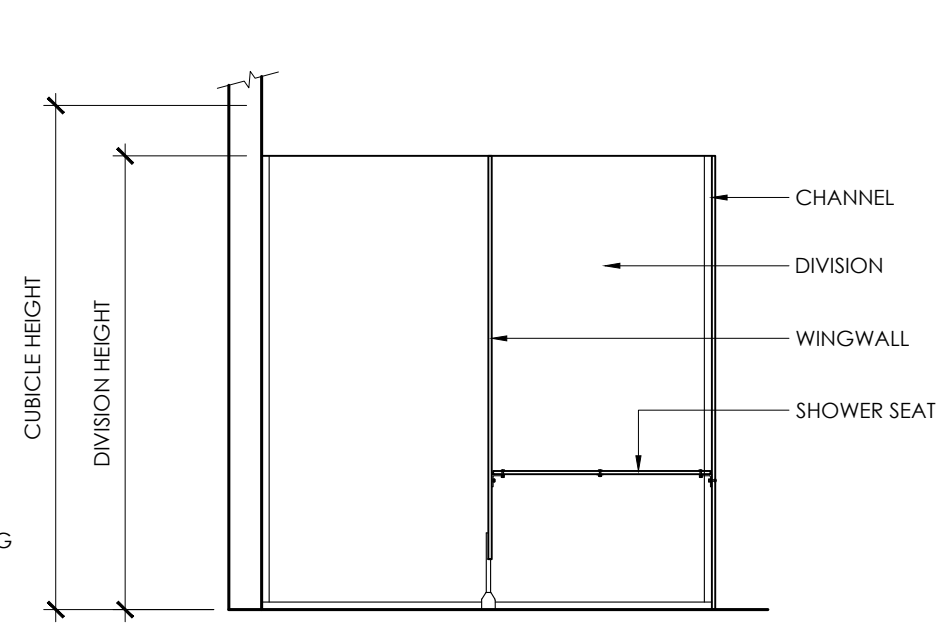
1 TYPICAL TOILET ARRANGEMENT LAYOUT
SCALE 1:30



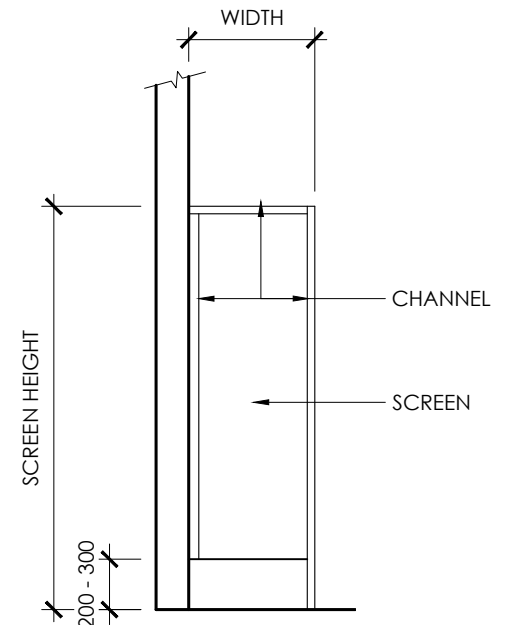
3 TYPICAL TOILET DIVISION ELEVATION
SCALE 1:30



2 ELEVATION
SCALE 1:30



4 TYPICAL SHOWER DIVISION ELEVATION
SCALE 1:30



5 TYPICAL SCREEN ELEVATION
SCALE 1:30

E							
D							
C							
B							
A	TOILET/SHOWER DIVISION & FLOOR CLEARANCE AMENDMENT	FM	09-09-20				
0	FIRST ISSUE	FM	18-05-15				
REV.	DESCRIPTION	BY	DATE	CHK.	DATE	APP.	DATE

PH: (03) 8366 1900
FAX: (03) 8366 1999

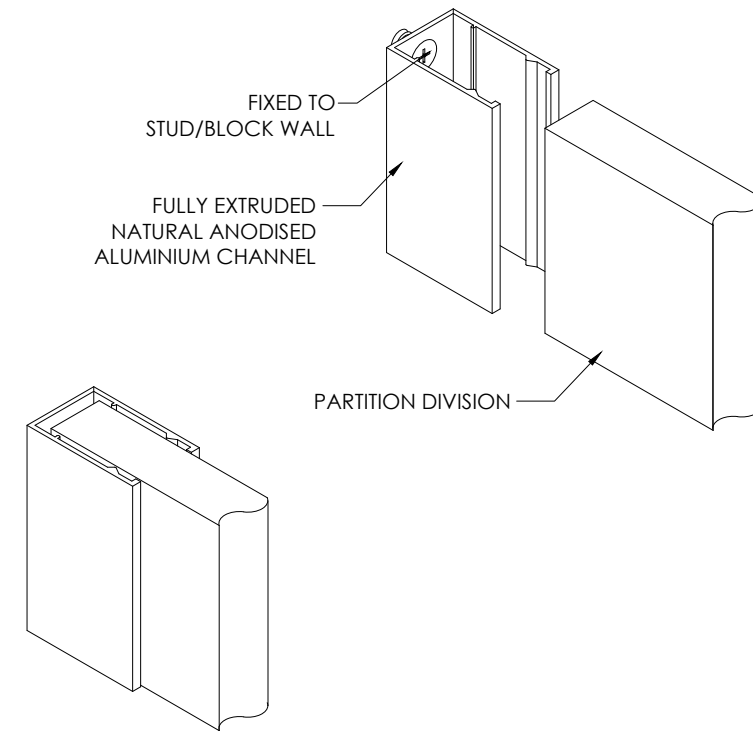
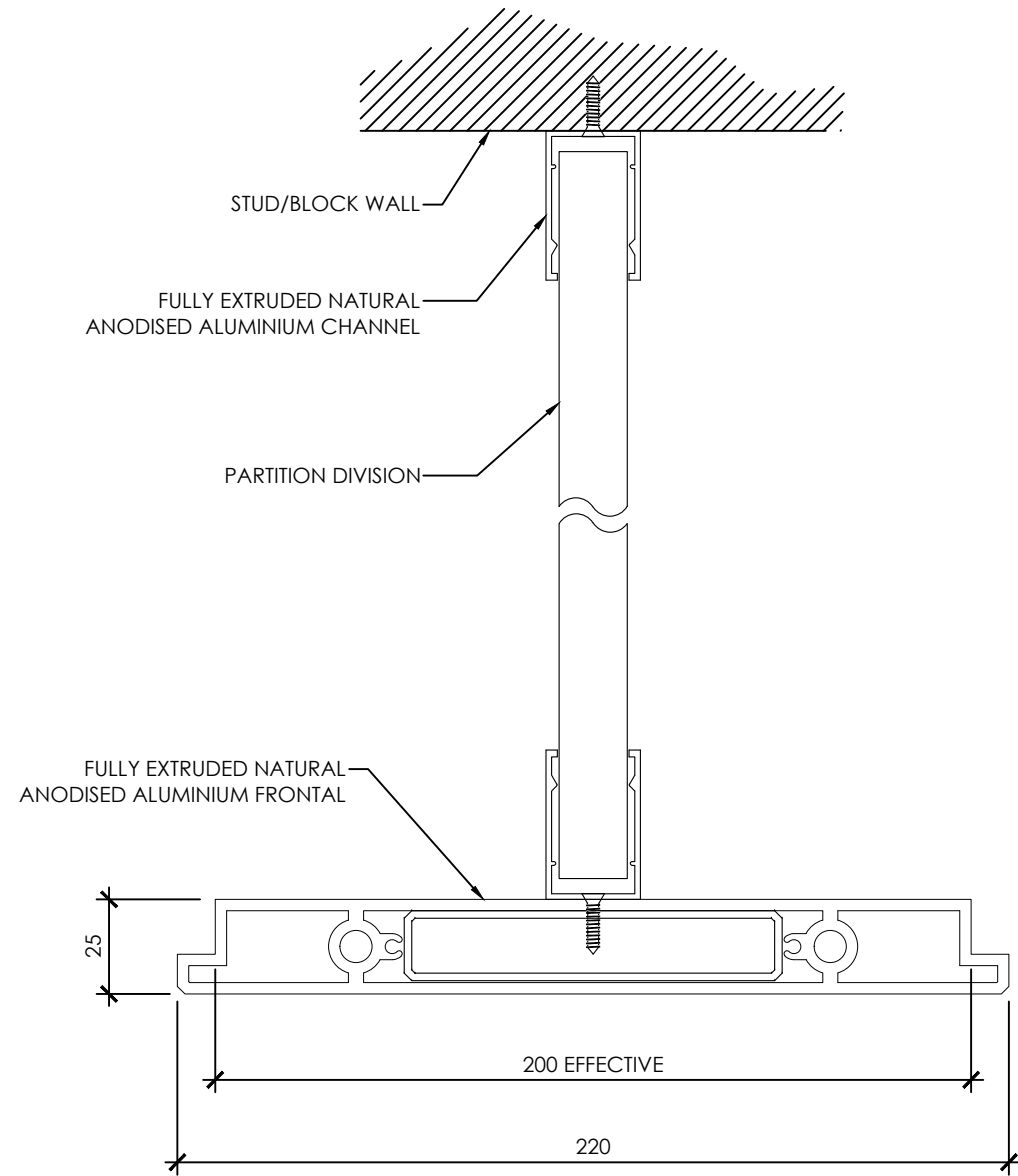
- NOTE**
- ALL DIMENSIONS ARE HUF COR PREFERRED SIZES.
 - ALL DIMENSIONS IN mm & TO FINISH LINING.
 - DIMENSIONS MAY BE ALTERED TO SUIT SPECIAL REQUIREMENTS.

HUF COR
HUF COR PTY LTD A.C.N. 076 529 658
28 - 30 PERMAS WAY, TRUGANINA, VIC 3029

SQUARE FLOLINE KYISSA SYSTEM
TYPICAL LAYOUT

DRAWN	FM	M/O No.	-	DRAWING No.	REV.
DATE	18-05-14	PART		KPG0005-2	A
SCALE @ A3	NTS	REF. No.			

THIS DRAWING AND THE COPYRIGHT THEREIN ARE THE COPYRIGHT OF HUF COR PTY. LTD. AND ALL INFORMATION WHICH IT CONTAINS IS CONFIDENTIAL. THE DRAWING MUST NOT BE REPRODUCED OR DISCLOSED NOR MUST ANY INFORMATION TAKEN THEREFROM BE DISCLOSED WITHOUT PRIOR CONSENT IN WRITING OF HUF COR PTY. LTD.



E							
D							
C							
B							
A	TOILET/SHOWER DIVISION & FLOOR CLEARANCE AMENDMENT	FM	09-09-20				
0	FIRST ISSUE	FM	18-05-15				
REV.	DESCRIPTION	BY	DATE	CHK.	DATE	APP.	DATE

PH: (03) 8366 1900
 FAX: (03) 8366 1999

HUFCOR
 HUFCOR PTY LTD A.C.N. 076 529 658
 28 - 30 PERMAS WAY, TRUGANINA, VIC 3029

THIS DRAWING AND THE COPYRIGHT THEREIN ARE THE COPYRIGHT OF HUFCOR PTY. LTD. AND ALL INFORMATION WHICH IT CONTAINS IS CONFIDENTIAL. THE DRAWING MUST NOT BE REPRODUCED OR DISCLOSED NOR MUST ANY INFORMATION TAKEN THEREFROM BE DISCLOSED WITHOUT PRIOR CONSENT IN WRITING OF HUFCOR PTY. LTD.

SQUARE FLOLINE KYISSA SYSTEM				
MOUNTING DETAILS				
DRAWN	FM	M/O No.	-	DRAWING No.
DATE	18-05-14	PART		REV.
SCALE @ A3	NTS	REF. No.	KPG0005-3	A

HEADRAIL AND SNAP-IN INSERT
FULLY EXTENDED NATURAL
ANODISED ALUMINIUM.

25

45

DRILL HOLES AND SECURE WITH M8
EXPANDING ANCHORS.

FRONTAL - FULLY EXTRUDED NATURAL
ANODISED ALUMINIUM.
220mm WIDE.

LEG - FULLY EXTRUDED NATURAL
ANODISED ALUMINIUM.

LOWER ANGLE SCREWED TO FLOOR THEN
POP RIVETED THROUGH BACK OF LEG.

150 - 250

E							
D							
C							
B							
A	TOILET/SHOWER DIVISION & FLOOR CLEARANCE AMENDMENT	FM	09-09-20				
0	FIRST ISSUE	FM	18-05-15				
REV.	DESCRIPTION	BY	DATE	CHK.	DATE	APP.	DATE

PH: (03) 8366 1900
FAX: (03) 8366 1999

HUFCOR
HUFCOR PTY LTD A.C.N. 076 529 658
28 - 30 PERMAS WAY, TRUGANINA, VIC 3029

SQUARE FLOLINE KYISSA SYSTEM

HEAD & FOOT DETAILS

DRAWN	FM	M/O No.	-	DRAWING No.	REV.
DATE	18-05-14	PART		KPG0005-4	A
SCALE @ A3	NTS	REF. No.			

THIS DRAWING AND THE COPYRIGHT THEREIN ARE THE COPYRIGHT OF HUFCOR PTY. LTD. AND ALL INFORMATION WHICH IT CONTAINS IS CONFIDENTIAL. THE DRAWING MUST NOT BE REPRODUCED OR DISCLOSED NOR MUST ANY INFORMATION TAKEN THEREFROM BE DISCLOSED WITHOUT PRIOR CONSENT IN WRITING OF HUFCOR PTY. LTD.